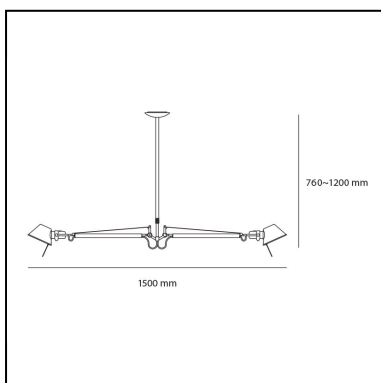


# Tolomeo Suspension 2 Bracci

Michele De Lucchi  
Giancarlo Fassina



IP20   **EAC** 



## LUMINAIRE \*

- Watt: **21W**
- Voltage: **220V-240V**
- Delivered lumen output: **1230lm**
- Efficiency: **50%**
- Efficacy: **58.56lm/W**
- CRI: **80**

\* Photometric data may vary depending on the source installed.  
Light measurements are provided in relative form and technical lighting calculations may be updated according to the effective source used.

## Notes

Possibility to mount LED source on E27 Socket

## DESCRIPTION

Icon of Italian design and the result of the brainchild of designers Michele De Lucchi and Giancarlo Fassina, the Tolomeo lamp was launched on the market in 1987. It embodies the perfect balance between functionality and aesthetics.

The design of the Tolomeo is characterized by clean and minimalist lines, with a structure made of aluminum. This material gives the lamp not only a modern and sophisticated look but also remarkable lightness and robustness.

One of the distinctive elements of the Tolomeo is its articulated arm system. Thanks to an innovative spring mechanism, the lamp can be easily adjusted in height and tilt, ensuring great flexibility of use.

Two spring-balanced arms open out from a single stem, allowing the simple movement of the two diffusers.

## FEATURES

- Product Code: **A036400**
- Colour: **Aluminium**
- Installation: **Suspension**
- Material: **Aluminium**
- Series: **Design Collection**
- design by: **Michele De Lucchi, Giancarlo Fassina**

## DIMENSIONS

- Width: **1500 mm**
- Height: **760 mm**
- Max Height from ceiling: **1200 mm**

## SOURCES NOT INCLUDED

- Category: **LED RETROFIT**
- Number: **2**
- Watt: **12W**
- Socket: **E27**